

Pocket Doors





Small Square Pocket Door - Complete Sets

		Standard	Distressed	ETERNA
83190	Small Square Pocket Door Passage Set	531.94	610.51	690.69
83191	Small Square Pocket Door Privacy Set	530.01	608.19	688.09
83192	Small Square Pocket Door Bit Key Set	503.61	580.37	660.49
83193	Small Square Pocket Door Single Cylinder Set	571.87	653.27	739.13
83194	Small Square Pocket Door Double Cylinder Set	546.25	696.04	787.57
83195	Small Square Pocket Door Non-Latching Passage Set	437.92	505.41	568.58
83196	Small Square Pocket Door Patio Set	501.03	550.42	648.96
83197	Small Square Pocket Door Edge Pull Set	401.86	470.64	529.94

All Prices in US Dollars - Prices Subject to Change Without Notice
Please Check with Customer Service for Up to Date Pricing.



Pocket Door Locks

		Standard	Distressed	ETERNA
9200	Active Pocket Door Lock w/Dust Proof Strike	177.74	185.47	212.52
9201	Dummy Pocket Door Lock w/Built in Dust Proof Strike	145.54	164.86	173.88
9202	Edge Pull	109.48	119.78	135.24
92004	Dustproof Strike	19.64	22.91	23.74

All Prices in US Dollars - Prices Subject to Change Without Notice
Please Check with Customer Service for Up to Date Pricing.



Small Square Pocket Door Components

		Standard	Distressed	ETERNA
83150-0	Small Square Blank Plate	146.19	175.42	197.36
83110-0	Small Square Plate w/Turn	177.10	212.52	239.10
83120-0	Small Square Plate w/ER Button	175.17	210.20	236.47
83140-0	Small Square Plate Cut for Cylinder	146.19	175.42	197.36
83130-0	Small Square Plate Cut for Bit Key	146.83	176.20	198.23

Small Square Pocket Door Concealed Screw



83150-0
Blank Plate



83120-0
Cut for ER Button



83130-0
Bit Key

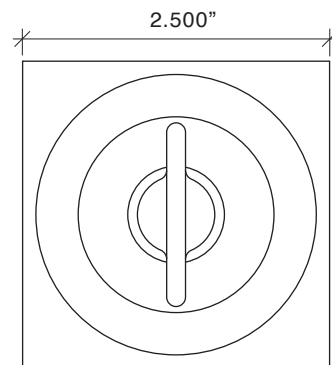


83110-0
with Turn



83140-0
Cut for Cylinder
Size Differs from Others

- Small Square Design
- Hot Forged Brass Recess Turn
- Will not interfere with surrounding millwork
- Screws are Completely Concealed
- Machine Screws Attach Trim to Lock Case
- Recess is 10mm Deep (0.394")
- Minimum Door Thickness for the Concealed Mount PDL's is 1 3/8





Small Round Pocket Door - Complete Sets

		Standard	Distressed	ETERNA
83090	Small Round Pocket Door Passage Set	531.94	610.51	690.69
83091	Small Round Pocket Door Privacy Set	530.01	608.19	688.09
83092	Small Round Pocket Door Bit Key Set	503.61	580.37	660.49
83093	Small Round Pocket Door Single Cylinder Set	571.87	653.27	739.13
83094	Small Round Pocket Door Double Cylinder Set	611.80	696.04	787.57
83095	Small Round Pocket Door Non-Latching Passage Set	437.92	505.41	568.58
83096	Small Round Pocket Door Patio Set	501.03	573.41	648.96
83097	Small Round Pocket Door Edge Pull Set	401.86	470.64	529.94

All Prices in US Dollars - Prices Subject to Change Without Notice
Please Check with Customer Service for Up to Date Pricing.



Pocket Door Locks

		Standard	Distressed	ETERNA
9200	Active Pocket Door Lock w/Dust Proof Strike	177.74	185.47	212.52
9201	Dummy Pocket Door Lock w/Built in Dust Proof Strike	145.54	154.56	173.88
9202	Edge Pull	109.48	119.78	135.24
92004	Dustproof Strike	19.64	22.91	23.74

All Prices in US Dollars - Prices Subject to Change Without Notice
Please Check with Customer Service for Up to Date Pricing.



Small Round Pocket Door Components

		Standard	Distressed	ETERNA
83050-0	Small Round Blank Plate	146.19	175.42	197.36
83010-0	Small Round Plate w/Turn	177.10	212.52	239.10
83020-0	Small Round Plate w/ER Button	175.17	210.20	236.47
83040-0	Small Round Plate Cut for Cylinder	146.19	175.42	197.36
83030-0	Small Round Plate Cut for Bit Key	146.83	176.20	198.23

Small Round Pocket Door Concealed Screw



83050-0
Blank Plate



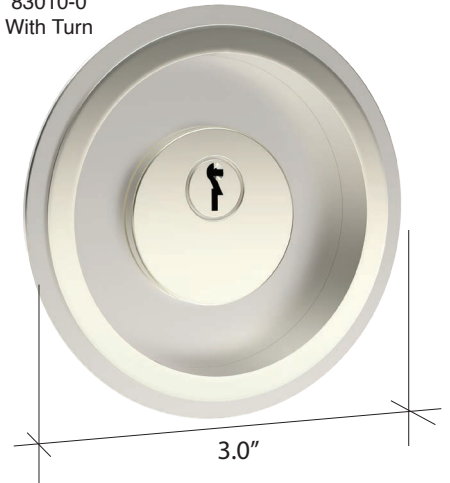
83010-0
With Turn



83020-0
Cut for ER Button

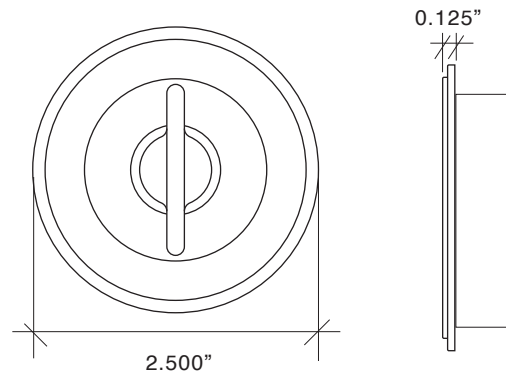


83030-0
Bit Key



83040-0
Cut for Cylinder
Size Differs from Others

- Small Round Design
- Hot Forged Brass Recess Turn
- Will not interfere with surrounding millwork
- Screws are Completely Concealed
- Machine Screws Attach Trim to Lock Case
- Recess is 10mm Deep (0.394")
- Minimum Door Thickness for the Concealed Mount PDL's is 1 3/8





Modern Rectangular Pocket Door - Complete Sets

		Standard	Distressed	ETERNA
83290	Modern Rectangular Pocket Door Passage Set	750.90	873.26	986.29
83291	Modern Rectangular Pocket Door Privacy Set	747.68	869.40	981.95
83292	Modern Rectangular Pocket Door Bit Key Set	719.99	840.03	952.60
83293	Modern Rectangular Pocket Door Single Cylinder Set	789.54	914.48	1032.98
83294	Modern Rectangular Pocket Door Double Cylinder Set	828.18	955.70	1079.67
83295	Modern Rectangular Pocket Door Non-Latching Passage Set	654.30	765.07	860.71
83296	Modern Rectangular Pocket Door Patio Set	718.70	834.62	942.82
83297	Modern Rectangular Pocket Door Edge Pull Set	618.24	730.30	822.07

All Prices in US Dollars - Prices Subject to Change Without Notice
Please Check with Customer Service for Up to Date Pricing.



Pocket Door Locks

		Standard	Distressed	ETERNA
9200	Active Pocket Door Lock w/Dust Proof Strike	177.74	185.47	212.52
9201	Dummy Pocket Door Lock w/Built in Dust Proof Strike	145.54	164.86	173.88
9202	Edge Pull	109.48	119.78	135.24
92004	Dustproof Strike	19.64	22.91	23.74

All Prices in US Dollars - Prices Subject to Change Without Notice
Please Check with Customer Service for Up to Date Pricing.



Modern Rectangular Pocket Door Components

		Standard	Distressed	ETERNA
83250-0	Modern Rectangular Blank Plate	254.38	305.26	343.42
83210-0	Modern Rectangular Plate w/Turn	286.58	343.90	386.89
83220-0	Modern Rectangular Plate w/ER Button	283.36	340.03	382.54
83240-0	Modern Rectangular Plate Cut for Cylinder	254.38	305.26	343.42
83230-0	Modern Rectangular Plate Cut for Bit Key	254.38	305.26	343.42

Modern Rectangular Pocket Door Concealed Screw



83250-0
Blank Plate



83220-0
Cut for ER Button



83210-0
with Turn

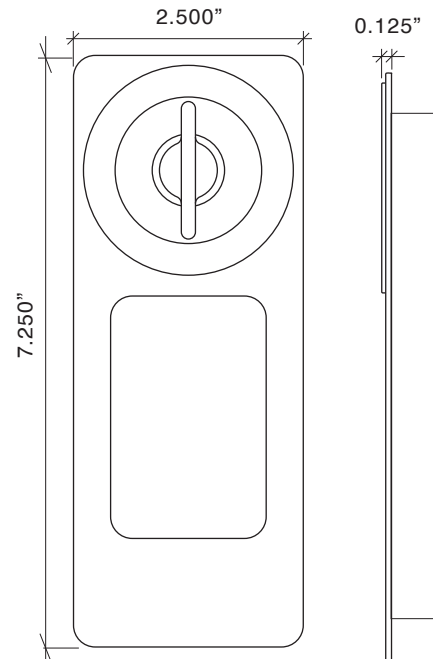


83240-0
Cut for Cylinder



83230-0
Bit Key

- Modern Rectangular Design
- Hot Forged Brass Recess Turn
- Will not interfere with surrounding millwork
- Screws are Completely Concealed
- Machine Screws Attach Trim to Lock Case
- Recess is 10mm Deep (0.394")
- Minimum Door Thickness for the Concealed Mount PDL's is 1 3/8





Bryn Mawr Pocket Door - Complete Sets

		Standard	Distressed	ETERNA
82190	Bryn Mawr Pocket Door Passage Set	413.45	459.82	526.79
82191	Bryn Mawr Pocket Door Privacy Set	378.67	419.89	470.12
82192	Bryn Mawr Pocket Door Bit Key Set	358.06	396.70	458.53
82193	Bryn Mawr Pocket Door Single Cylinder Set	443.07	493.30	562.86
82194	Bryn Mawr Pocket Door Double Cylinder Set	473.98	525.50	598.92
82195	Bryn Mawr Pocket Door Non-Latching Passage Set	275.63	293.66	343.90
82196	Bryn Mawr Pocket Door Patio Set	360.64	392.84	454.66
82197	Bryn Mawr Pocket Door Edge Pull Set	239.57	258.89	305.26

All Prices in US Dollars - Prices Subject to Change Without Notice
Please Check with Customer Service for Up to Date Pricing.



Pocket Door Locks

		Standard	Distressed	ETERNA
9200	Active Pocket Door Lock w/Dust Proof Strike	177.74	185.47	212.52
9201	Dummy Pocket Door Lock w/Built in Dust Proof Strike	145.54	164.86	173.88
9202	Edge Pull	109.48	119.78	135.24
92004	Dustproof Strike	19.64	22.91	23.74

All Prices in US Dollars - Prices Subject to Change Without Notice
Please Check with Customer Service for Up to Date Pricing.



Bryn Mawr Pocket Door Components

		Standard	Distressed	ETERNA
82110	Bryn Mawr Blank Plate	64.40	69.55	85.01
82140	Bryn Mawr Plate w/Drop Ring	117.21	137.82	157.14
82120	Bryn Mawr Plate w/ER Button	83.72	97.89	100.46
82150	Bryn Mawr Plate Cut for Cylinder	77.28	90.16	103.04
82130	Bryn Mawr Plate Cut for Bit Key	77.28	90.16	103.04

Bryn Mawr Pocket Door



82110
Blank Plate



82120
Cut for ER Button



82140
Drop Ring

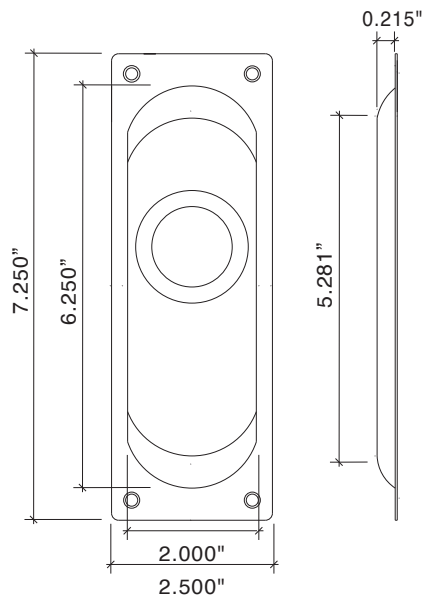


82150
Cut for Cylinder



82130
Bit Key

- Classic Rectangular Design
- Heavy Wrought Brass Recess Pull
- Will not interfere with surrounding millwork•





Moreland Pocket Door - Complete Sets

		Standard	Distressed	ETERNA
82090	Moreland Pocket Door Passage Set	413.45	459.82	526.79
82091	Moreland Pocket Door Privacy Set	378.67	419.89	470.12
82092	Moreland Pocket Door Bit Key Set	358.06	396.70	458.53
82093	Moreland Pocket Door Single Cylinder Set	443.07	493.30	562.86
82094	Moreland Pocket Door Double Cylinder Set	473.98	525.50	598.92
82095	Moreland Pocket Door Non-Latching Passage Set	275.63	293.66	343.90
82096	Moreland Pocket Door Patio Set	360.64	392.84	454.66
82097	Moreland Pocket Door Edge Pull Set	239.57	258.89	305.26

All Prices in US Dollars - Prices Subject to Change Without Notice
Please Check with Customer Service for Up to Date Pricing.



Pocket Door Locks

		Standard	Distressed	ETERNA
9200	Active Pocket Door Lock w/Dust Proof Strike (does not include Function Kit)	177.74	185.47	212.52
9201	Dummy Pocket Door Lock w/Built in Dust Proof Strike	145.54	154.56	173.88
9202	Edge Pull	109.48	119.78	135.24
92004	Dustproof Strike	19.64	22.91	23.74

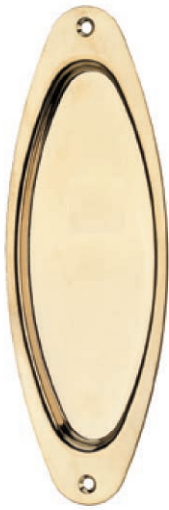
All Prices in US Dollars - Prices Subject to Change Without Notice
Please Check with Customer Service for Up to Date Pricing.



Moreland Pocket Door Components

		Standard	Distressed	ETERNA
82010	Moreland Blank Plate	64.40	69.55	85.01
82040	Moreland Plate w/Drop Ring	117.21	137.82	157.14
82020	Moreland Plate w/ER Button	83.72	97.89	100.46
82050	Moreland Plate Cut for Cylinder	77.28	90.16	103.04
82030	Moreland Plate Cut for Bit Key	77.28	90.16	103.04

Moreland Pocket Door



82010
Blank Plate



82020
Cut for ER Button



82040
Drop Ring

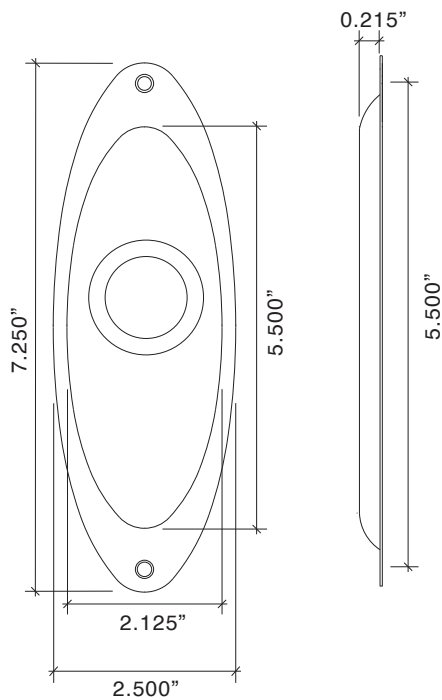


82050
Cut for Cylinder



82030
Bit Key

- Classic Oval Design
- Heavy Wrought Brass Recess Pull
- Will not interfere with surrounding millwork





Abington Pocket Door - Complete Sets

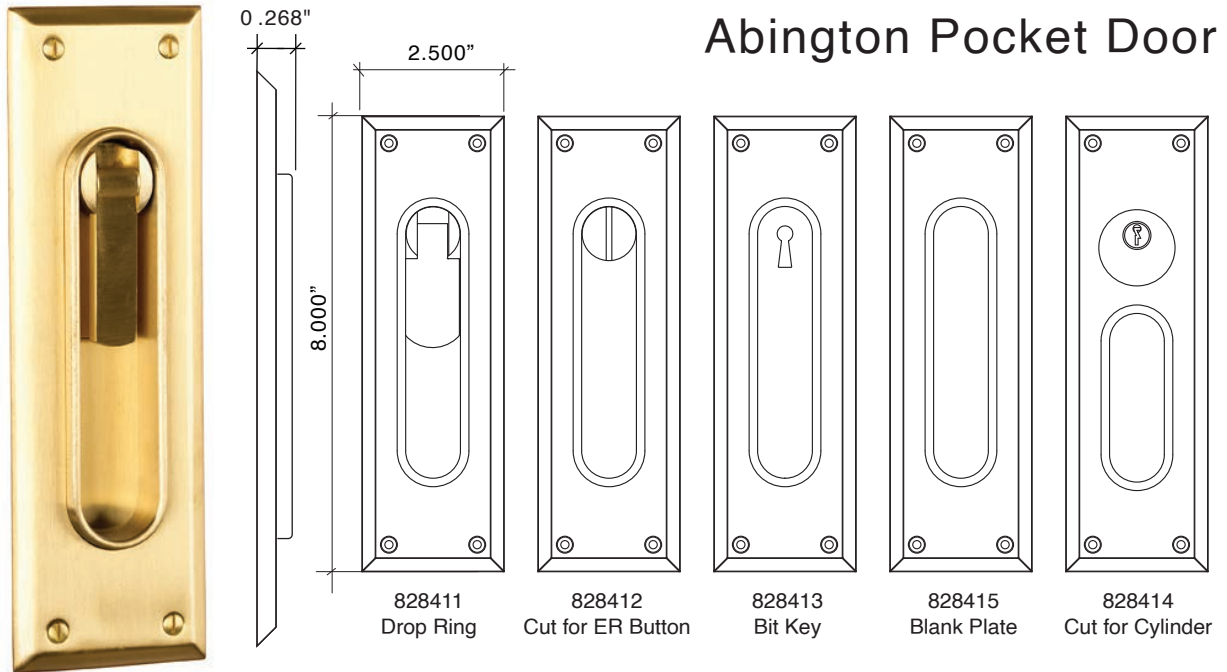
		Standard	Distressed	ETERNA
8284190	Abington Pocket Door Passage Set	702.50	790.97	913.79
8284191	Abington Pocket Door Privacy Set	671.59	757.37	881.77
8284192	Abington Pocket Door Bit Key Set	662.89	749.96	878.36
8284193	Abington Pocket Door Single Cylinder Set	705.71	794.45	913.49
8284194	Abington Pocket Door Double Cylinder Set	708.92	798.04	913.19
8284195	Abington Pocket Door Non-Latching Passage Set	608.48	692.97	810.75
8284196	Abington Pocket Door Patio Set	671.59	757.37	881.59
8284197	Abington Pocket Door Edge Pull Set	572.41	658.19	772.11

All Prices in US Dollars - Prices Subject to Change Without Notice
Please Check with Customer Service for Up to Date Pricing.



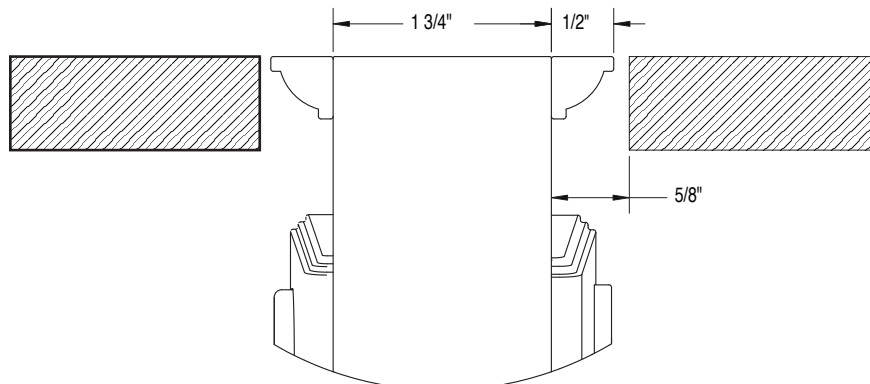
Pocket Door Locks

		Standard	Distressed	ETERNA
9200	Active Pocket Door Lock w/Dust Proof Strike	177.74	185.47	212.52
9201	Dummy Pocket Door Lock w/Built in Dust Proof Strike	145.54	154.56	173.88
9202	Edge Pull	109.48	119.78	135.24
92004	Dustproof Strike	19.64	22.91	23.74



- Classic Square Bevel Design
- Solid Forged Brass Plate
- Solid Forged Brass Finger Pull
- Hand Polished
- Plates available in Five Options:
 - Drop Ring
 - ER Button
 - Cut for Cylinder
 - Bit Key
 - Blank
- Suited Pocket Door Hardware is Made-to-Order, Non cancelable, once ordered, and Non-Returnable
- Plates are Surface Mounted
- Minimum Door Thickness 1 3/4"
- Requires 1/2" to 5/8" of clearance at the pocket.

Because Von Morris's Suited Pocket door plates are surface mounted, a slight bit of additional door preparation is required. At the nose and rear edge of the door, minimum one half inch thick moldings must be applied to both faces of the door. The trim surrounding the pocket must be a minimum of 5/8" from the face of the door. Minimum door thickness is 1 3/4".



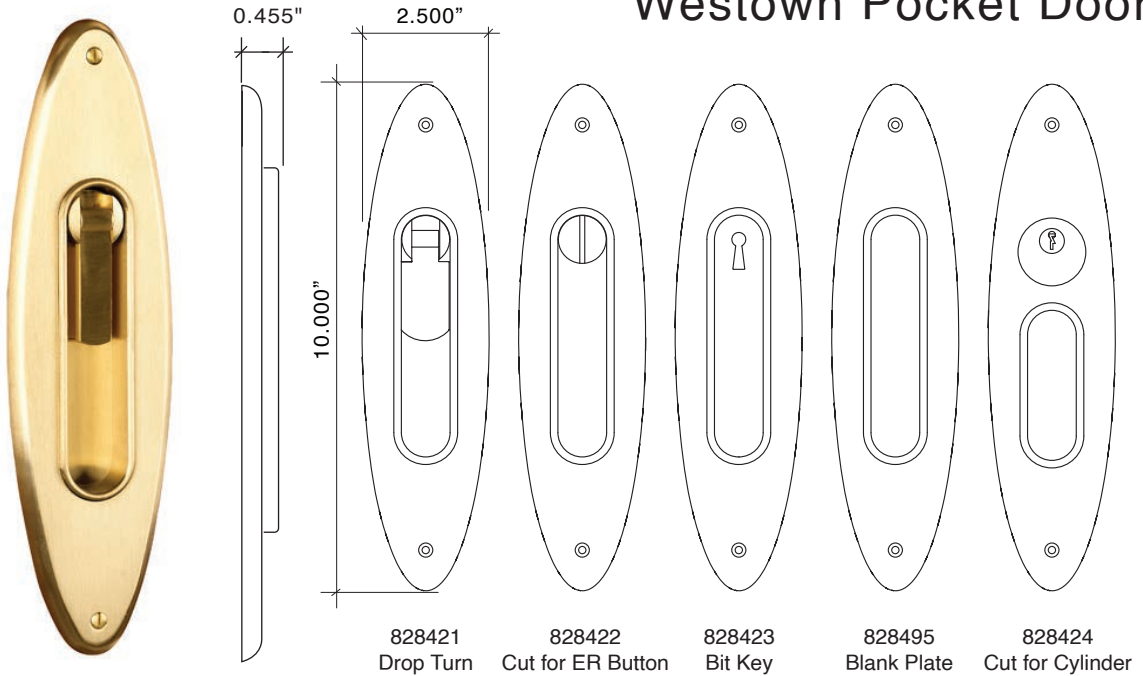


Westown Pocket Door - Complete Sets

		Standard	Distressed	ETERNA
8284290	Westown Pocket Door Passage Set	702.50	790.97	913.79
8284291	Westown Pocket Door Privacy Set	671.59	757.37	881.77
8284292	Westown Pocket Door Bit Key Set	662.89	749.96	878.36
8284293	Westown Pocket Door Single Cylinder Set	705.71	794.45	913.49
8284294	Westown Pocket Door Double Cylinder Set	708.92	798.04	913.19
8284295	Westown Pocket Door Non-Latching Passage Set	608.48	692.97	810.75
8284296	Westown Pocket Door Patio Set	671.59	757.37	881.59
8284297	Westown Pocket Door Edge Pull Set	572.41	658.19	772.11

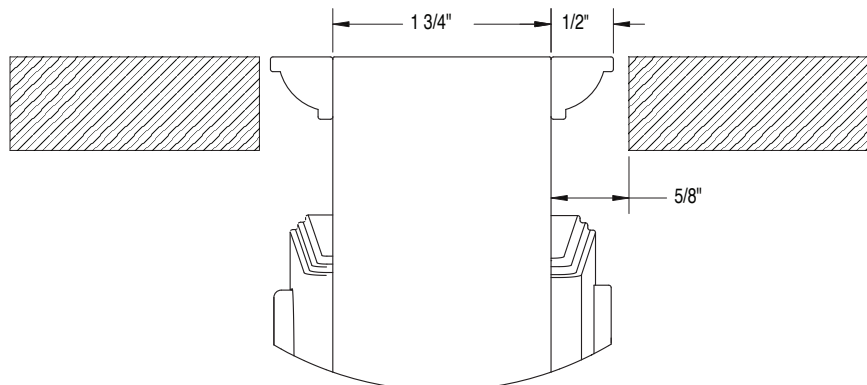
All Prices in US Dollars - Prices Subject to Change Without Notice
Please Check with Customer Service for Up to Date Pricing.

Westtown Pocket Door



- Solid Forged Brass Plate
- Solid Forged Brass Finger Pull
- Hand Polished
- Plates available in Five Options:
 - Drop Ring
 - ER Button
 - Cut for Cylinder
 - Bit Key
 - Blank
- Suited Pocket Door Hardware is Made-to-Order, Non cancelable, once ordered, and Non-Returnable
- Plates are Surface Mounted
- Minimum Door Thickness 1 3/4"
- Requires 1/2" to 5/8" of clearance at the pocket.

Because Von Morris's Suited Pocket door plates are surface mounted, a slight bit of additional door preparation is required. At the nose and rear edge of the door, minimum one half inch thick moldings must be applied to both faces of the door. The trim surrounding the pocket must be a minimum of 5/8" from the face of the door. Minimum door thickness is 1 3/4".

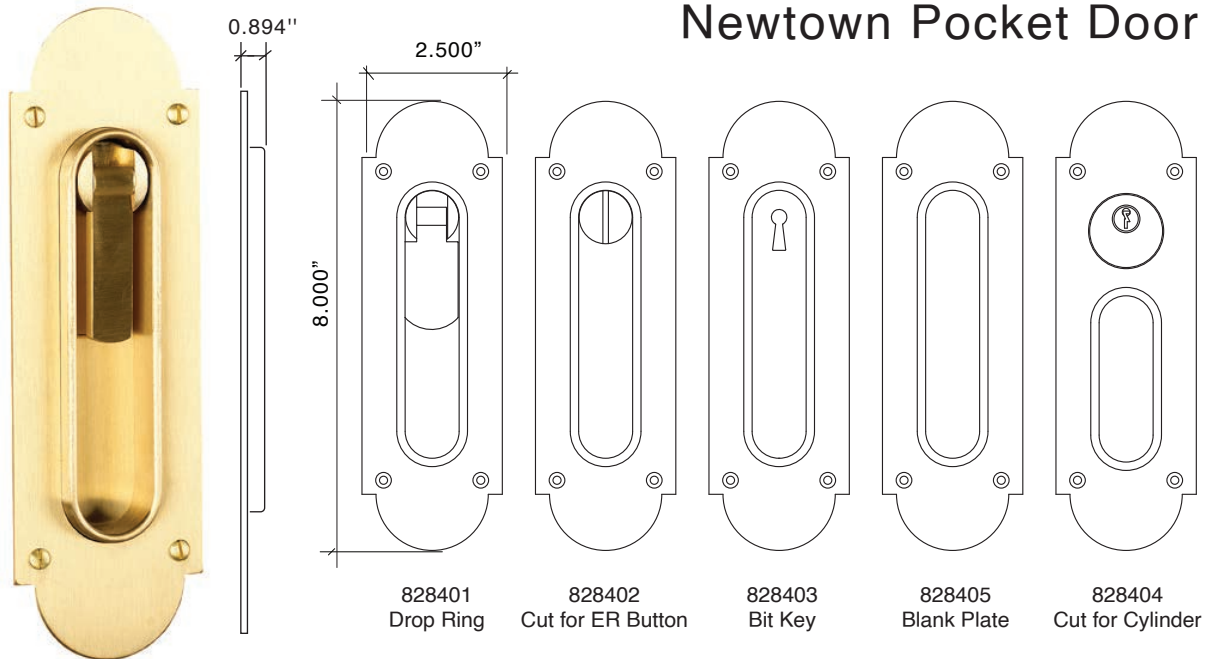




Newtown Pocket Door - Complete Sets

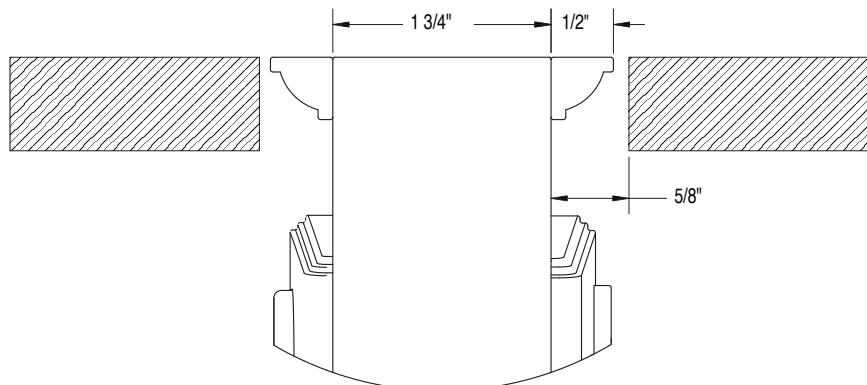
	Standard	Distressed	ETERNA
8284090 Newtown Pocket Door Passage Set	702.50	790.97	913.79
8284091 Newtown Pocket Door Privacy Set	671.59	757.37	881.77
8284092 Newtown Pocket Door Bit Key Set	662.89	749.96	878.36
8284093 Newtown Pocket Door Single Cylinder Set	705.71	794.45	913.49
8284094 Newtown Pocket Door Double Cylinder Set	708.92	798.04	913.19
8284095 Newtown Pocket Door Non-Latching Passage Set	608.48	692.97	810.75
8284096 Newtown Pocket Door Patio Set	671.59	757.37	881.59
8284097 Newtown Pocket Door Edge Pull Set	572.41	658.19	772.11

All Prices in US Dollars - Prices Subject to Change Without Notice
Please Check with Customer Service for Up to Date Pricing.



- Solid Forged Brass Plate
- Solid Forged Brass Finger Pull
- Hand Polished
- Plates available in Five Options:
 - Drop Ring
 - ER Button
 - Cut for Cylinder
 - Bit Key
 - Blank
- Suited Pocket Door Hardware is Made-to-Order, Non cancelable, once ordered, and Non-Returnable
- Plates are Surface Mounted
- Minimum Door Thickness 1 3/4"
- Requires 1/2" to 5/8" of clearance at the pocket.

Because Von Morris's Suited Pocket door plates are surface mounted, a slight bit of additional door preparation is required. At the nose and rear edge of the door, minimum one half inch thick moldings must be applied to both faces of the door. The trim surrounding the pocket must be a minimum of 5/8" from the face of the door. Minimum door thickness is 1 3/4".



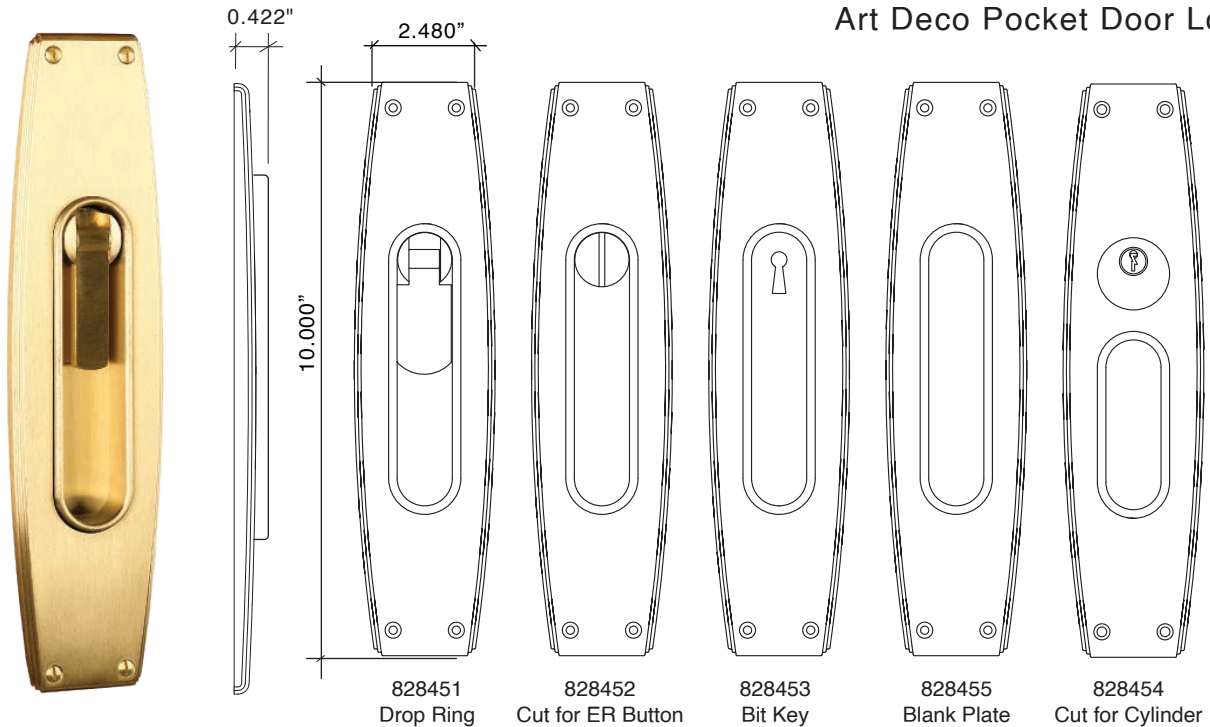


Art Deco Pocket Door Lock Set

	* Art Deco Pocket Door Trim is Made to Order	Standard	Distressed	ETERNA
8284590	Art Deco Pocket Door Lock, Passage	1147.61	1313.76	1496.66
8284591	Art Deco Pocket Door Lock, Privacy	1116.70	1280.27	1464.46
8284592	Art Deco Pocket Door Lock, Cut for Bit Key	1108.00	1272.87	1461.24
8284593	Art Deco Pocket Door Lock, Single Cylinder	1141.17	1306.03	1483.78
8284594	Art Deco Pocket Door Lock, Double Cylinder	1134.73	1298.30	1470.90
8284595	Art Deco Pocket Door Lock, Non Latch Passage	1053.58	1214.58	1387.18
8284596	Art Deco Pocket Door Lock, Patio Function	1116.70	1280.27	1464.46
8284597	Art Deco Pocket Door Lock, Edge Pull Set	1018.81	1179.81	1351.11

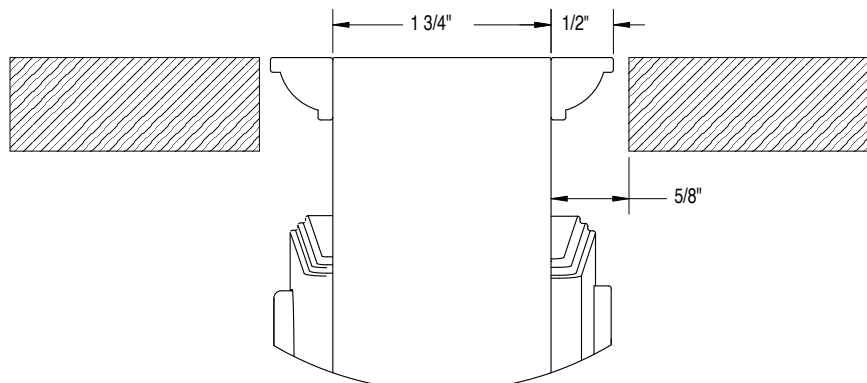
All Prices in US Dollars - Prices Subject to Change Without Notice
Please Check with Customer Service for Up to Date Pricing.

Art Deco Pocket Door Lock



- Classic Art Deco Design
- Solid Forged Brass Plate
- Solid Forged Brass Finger Pull
- Hand Polished
- Plates available in Five Options:
 - Drop Ring
 - ER Button
 - Cut for Cylinder
 - Bit Key
 - Blank
- Suited Pocket Door Hardware is Made-to-Order,
Non cancelable, once ordered, and Non-Returnable
- Plates are Surface Mounted
- Minimum Door Thickness 1 3/4"
- Requires 1/2" to 5/8" of clearance at the pocket.

Because Von Morris's Suited Pocket door plates are surface mounted, a slight bit of additional door preparation is required. At the nose and rear edge of the door, minimum one half inch thick moldings must be applied to both faces of the door. The trim surrounding the pocket must be a minimum of 5/8" from the face of the door. Minimum door thickness is 1 3/4".

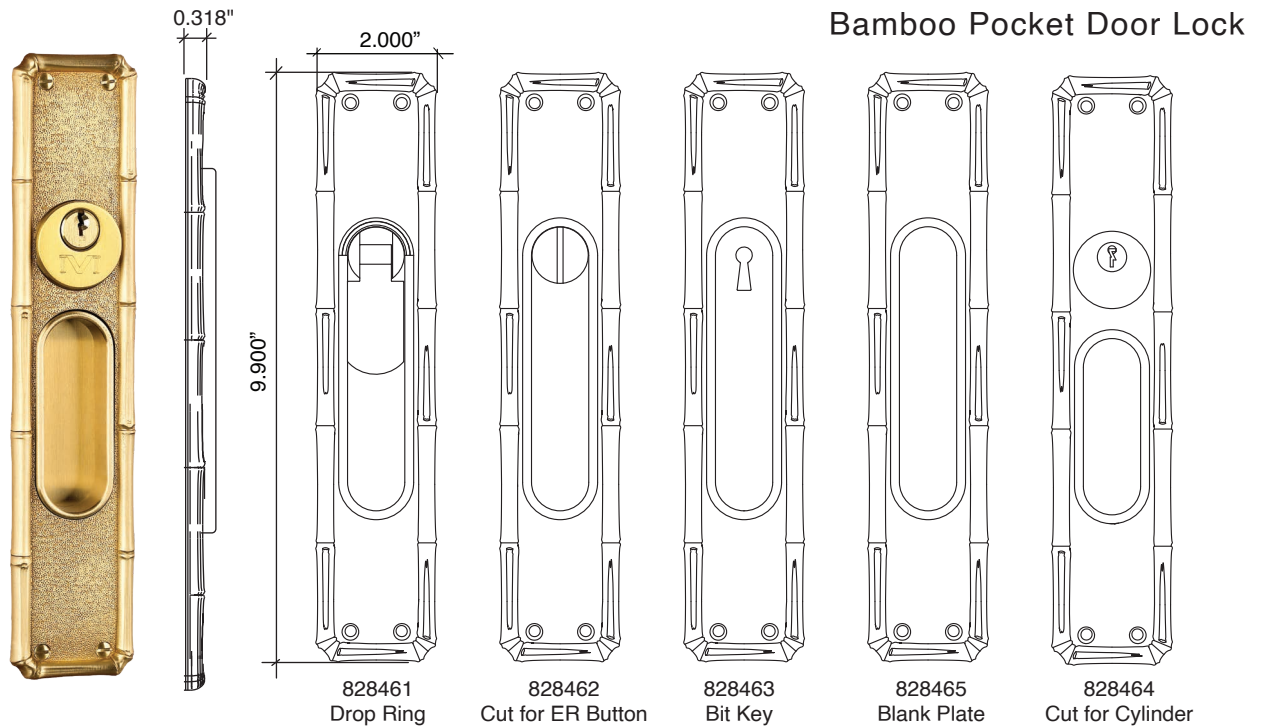




Bamboo Pocket Door Lock Set

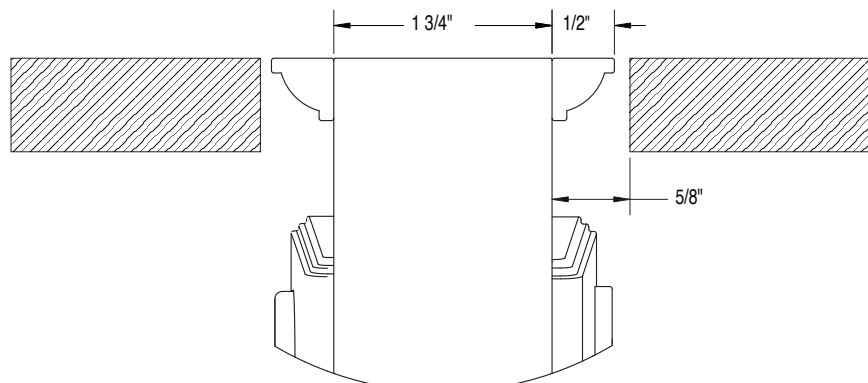
	* Bamboo Pocket Door Trim is Made to Order	Standard	Distressed	ETERNA
8284690	Bamboo Pocket Door Lock, Passage	1038.13	1182.38	1351.11
8284691	Bamboo Pocket Door Lock, Privacy	1007.22	1148.90	1318.91
8284692	Bamboo Pocket Door Lock, Cut for Bit Key	1000.78	1143.74	1315.69
8284693	Bamboo Pocket Door Lock, Single Cylinder	1031.69	1174.66	1338.23
8284694	Bamboo Pocket Door Lock, Double Cylinder	1025.25	1166.93	1325.35
8284695	Bamboo Pocket Door Lock, Non Latch Passage	998.52	1084.50	1248.07
8284696	Bamboo Pocket Door Lock, Patio Function	1007.22	1148.90	1318.91
8284697	Bamboo Pocket Door Lock, Edge Pull Set	908.04	1049.72	1209.43

All Prices in US Dollars - Prices Subject to Change Without Notice
Please Check with Customer Service for Up to Date Pricing.



- Highly Detailed Bamboo Design with Band around edge and Intricate Detail in Field
- Solid Forged Brass Plate
- Solid Forged Brass Finger Pull
- Hand Polished
- Plates available in Five Options:
 - Drop Ring
 - ER Button
 - Cut for Cylinder
 - Bit Key
 - Blank
- Suited Pocket Door Hardware is Made-to-Order, Non cancelable, once ordered, and Non-Returnable
- Plates are Surface Mounted
- Minimum Door Thickness 1 3/4"
- Requires 1/2" to 5/8" of clearance at the pocket.

Because Von Morris's Suited Pocket door plates are surface mounted, a slight bit of additional door preparation is required. At the nose and rear edge of the door, minimum one half inch thick moldings must be applied to both faces of the door. The trim surrounding the pocket must be a minimum of 5/8" from the face of the door. Minimum door thickness is 1 3/4".

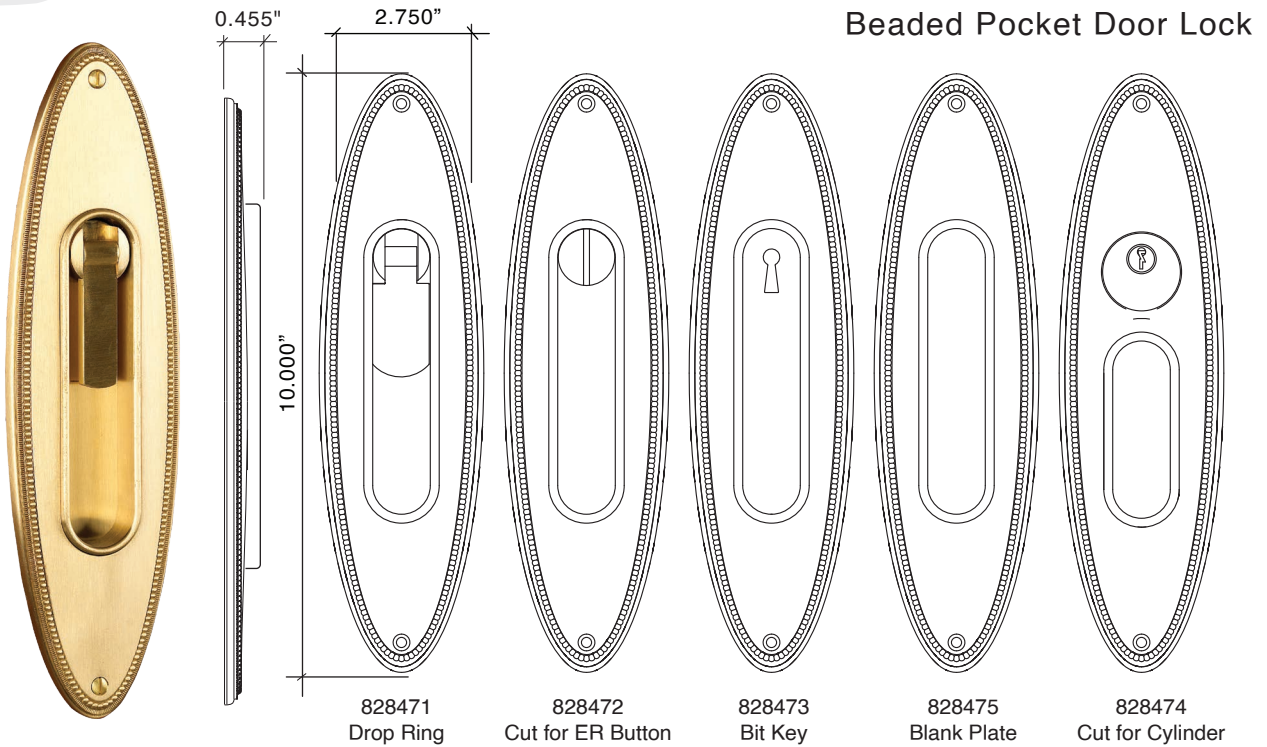




Beaded Pocket Door Lock Sets

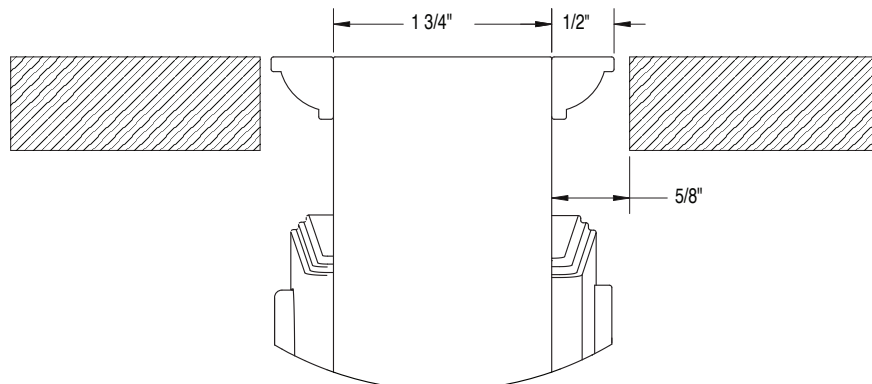
* Beaded Pocket Door Trim is Made-to-Order		Standard	Distressed	ETERNA
8284790	Beaded Pocket Door Lock, Passage	1114.12	1275.12	1455.44
8284791	Beaded Pocket Door Lock, Privacy	1083.21	1241.63	1423.24
8284792	Beaded Pocket Door Lock, Cut for Bit Key	1074.51	1234.23	1420.02
8284793	Beaded Pocket Door Lock, Single Cylinder	1107.68	1267.39	1442.56
8284794	Beaded Pocket Door Lock, Double Cylinder	1101.24	1275.12	1429.68
8284795	Beaded Pocket Door Lock, Non Latch Passage	1020.10	1175.94	1345.96
8284796	Beaded Pocket Door Lock, Patio Function	1083.21	1241.63	1423.24
8284797	Beaded Pocket Door Lock, Edge Pull Set	985.32	1141.17	1309.90

All Prices in US Dollars - Prices Subject to Change Without Notice
Please Check with Customer Service for Up to Date Pricing.



- Highly Beaded Design
- Solid Forged Brass Plate
- Solid Forged Brass Finger Pull
- Hand Polished
- Plates available in Five Options:
 - Drop Ring
 - ER Button
 - Cut for Cylinder
 - Bit Key
 - Blank
- Suited Pocket Door Hardware is Made-to-Order, Non cancelable, once ordered, and Non-Returnable
- Plates are Surface Mounted
- Minimum Door Thickness 1 3/4"
- Requires 1/2" to 5/8" of clearance at the pocket.

Because Von Morris's Suited Pocket door plates are surface mounted, a slight bit of additional door preparation is required. At the nose and rear edge of the door, minimum one half inch thick moldings must be applied to both faces of the door. The trim surrounding the pocket must be a minimum of 5/8" from the face of the door. Minimum door thickness is 1 3/4".

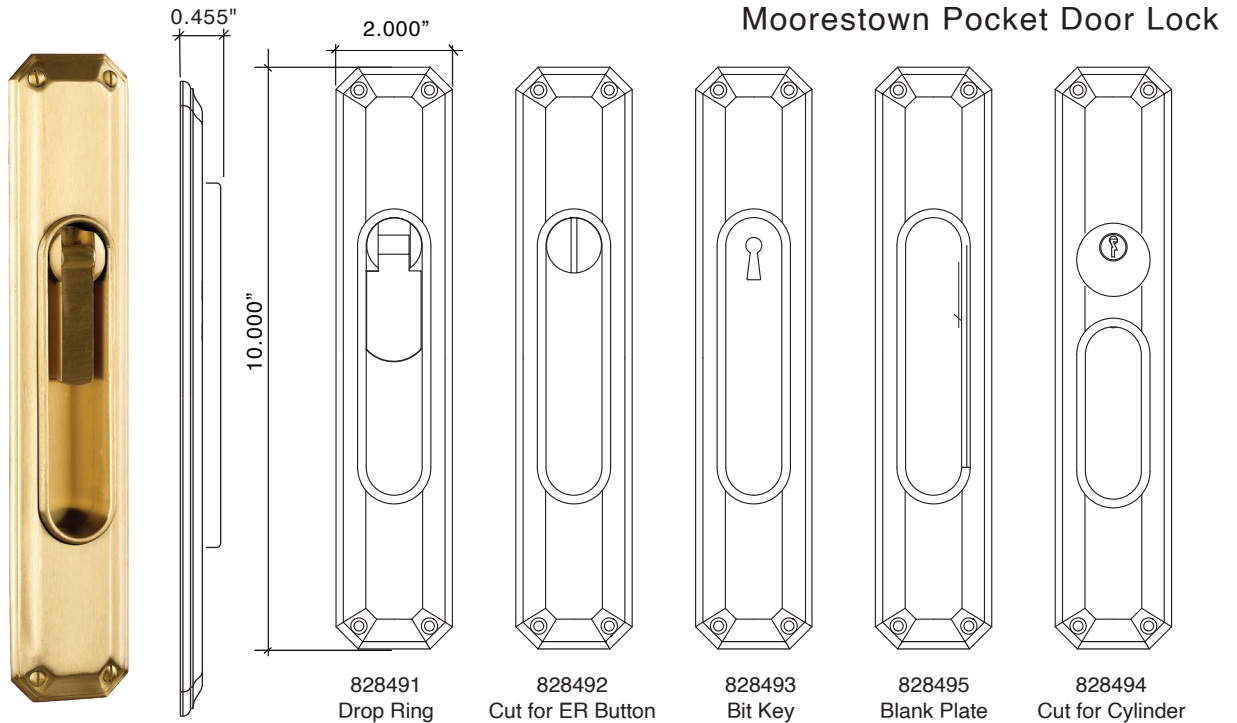




Moorestown Pocket Door Lock Sets

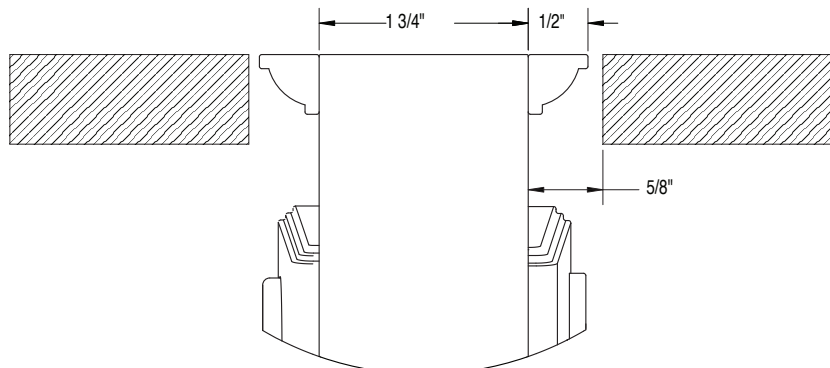
	* Moorestown Pocket Door Trim is Made-to-Order	Standard	Distressed	ETERNA
8284990	Moorestown Pocket Door Lock, Passage	924.78	1048.43	1222.31
8284991	Moorestown Pocket Door Lock, Privacy	893.87	1014.94	1190.11
8284992	Moorestown Pocket Door Lock, Cut for Bit Key	885.18	1007.54	1186.89
8284993	Moorestown Pocket Door Lock, Single Cylinder	918.34	1040.70	1209.43
8284994	Moorestown Pocket Door Lock, Double Cylinder	911.90	1032.98	1196.55
8284995	Moorestown Pocket Door Lock, Non Latch Passage	830.76	950.54	1119.27
8284996	Moorestown Pocket Door Lock, Patio Function	893.87	1014.94	1190.11
8284997	Moorestown Pocket Door Lock, Edge Pull Set	794.70	915.77	1080.63

All Prices in US Dollars - Prices Subject to Change Without Notice
Please Check with Customer Service for Up to Date Pricing.



- Traditional Octagonal Design
- Solid Forged Brass Plate
- Solid Forged Brass Finger Pull
- Hand Polished
- Plates available in Five Options:
 - Drop Ring
 - ER Button
 - Cut for Cylinder
 - Bit Key
 - Blank
- Suited Pocket Door Hardware is Made-to-Order,
Non cancelable, once ordered, and Non-Returnable
- Plates are Surface Mounted
- Minimum Door Thickness 1 3/4"
- Requires 1/2" to 5/8" of clearance at the pocket.

Because Von Morris's Suited Pocket door plates are surface mounted, a slight bit of additional door preparation is required. At the nose and rear edge of the door, minimum one half inch thick moldings must be applied to both faces of the door. The trim surrounding the pocket must be a minimum of 5/8" from the face of the door. Minimum door thickness is 1 3/4".





Small Ribbon & Reed Pocket Door Lock Sets

	* Ribbon & Reed Pocket Door Trim is Made to Order	Standard
8284490	Small Ribbon & Reed Pocket Door Lock, Passage	2489.70
8284491	Small Ribbon & Reed Pocket Door Lock, Privacy	2458.79
8284492	Small Ribbon & Reed Pocket Door Lock, Cut for Bit Key	2449.78
8284493	Small Ribbon & Reed Pocket Door Lock, Single Cylinder	2483.26
8284494	Small Ribbon & Reed Pocket Door Lock, Double Cylinder	2476.82
8284495	Small Ribbon & Reed Pocket Door Lock, Non Latch Privacy	2395.68
8284496	Small Ribbon & Reed Pocket Door Lock, Patio Function	2458.79
8284497	Small Ribbon & Reed Pocket Door Lock, Edge Pull Set	2360.90

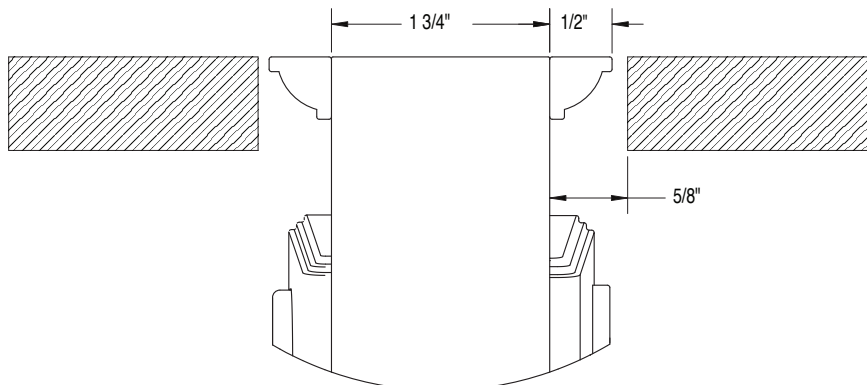
All Prices in US Dollars - Prices Subject to Change Without Notice
Please Check with Von Morris Customer Service for Up to Date Pricing.



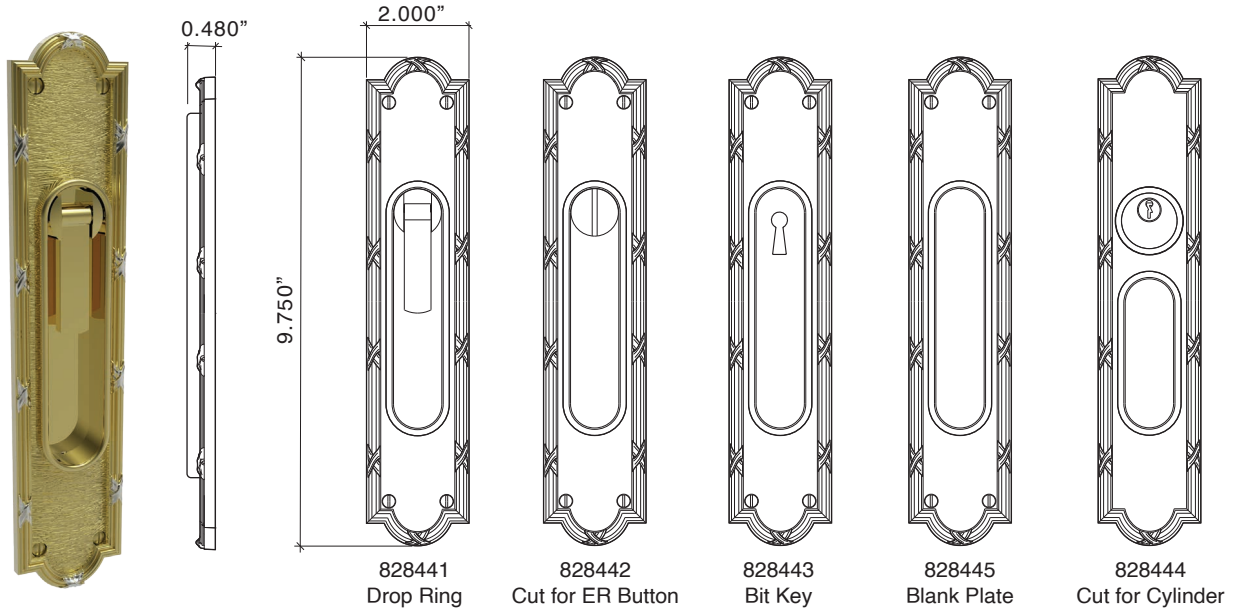
Large Ribbon & Reed Pocket Door Lock Sets

	* Ribbon & Reed Pocket Door Trim is Made to Order	Standard
8284390	Large Ribbon & Reed Pocket Door Lock, Passage	2747.30
8284391	Large Ribbon & Reed Pocket Door Lock, Privacy	2716.39
8284392	Large Ribbon & Reed Pocket Door Lock, Cut for Bit Key	2707.70
8284393	Large Ribbon & Reed Pocket Door Lock, Single Cylinder	2740.86
8284394	Large Ribbon & Reed Pocket Door Lock, Double Cylinder	2734.42
8284395	Large Ribbon & Reed Pocket Door Lock, Non Latch Privacy	2653.28
8284396	Large Ribbon & Reed Pocket Door Lock, Patio Function	2716.39
8284397	Large Ribbon & Reed Pocket Door Lock, Edge Pull Set	2618.50

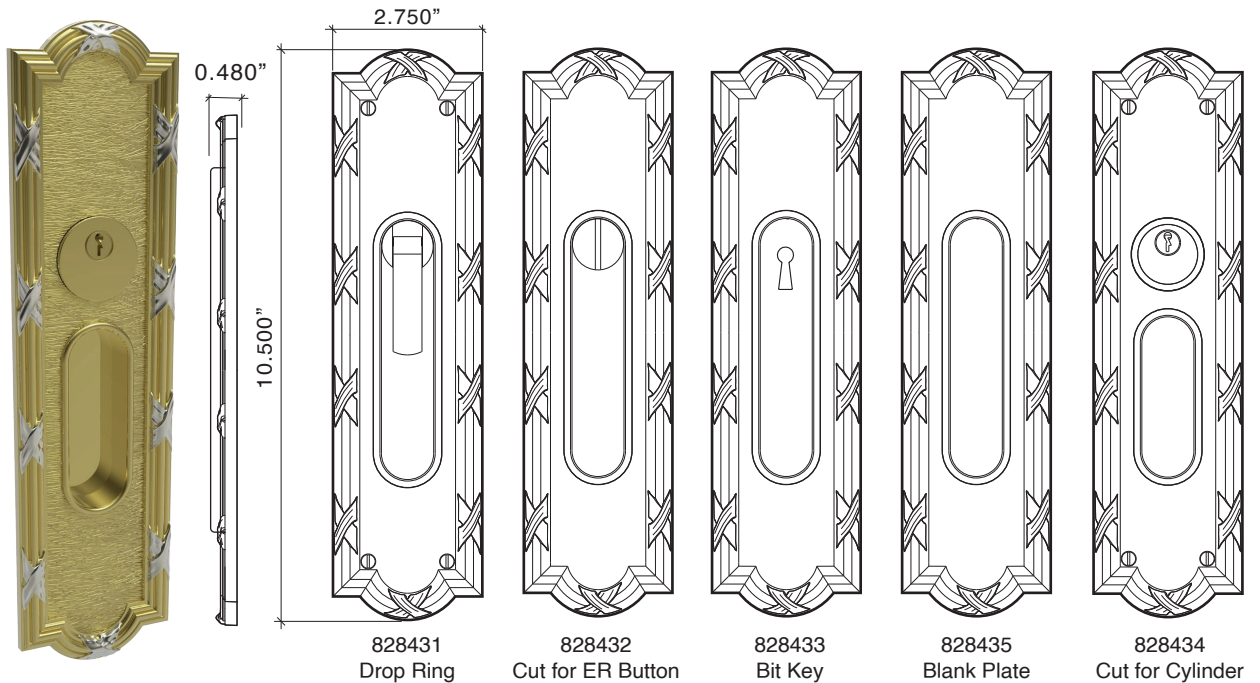
Because Von Morris's Suited Pocket door plates are surface mounted, a slight bit of additional door preparation is required. At the nose and rear edge of the door, minimum one half inch thick moldings must be applied to both faces of the door. The trim surrounding the pocket must be a minimum of 5/8" from the face of the door. Minimum door thickness is 1 3/4".



Small Ribbon & Reed Pocket Door Lock



Large Ribbon & Reed Pocket Door Lock



- Solid Forged Brass Plate
- Solid Forged Brass Finger Pull
- Hand Polished
- Plates available in Five Options:
 - Drop Ring
 - ER Button
 - Cut for Cylinder
 - Bit Key
 - Blank

- Suited Pocket Door Hardware is Made-to-Order, Non cancelable once ordered, and Non-Returnable
- Plates are Surface Mounted
- Minimum Door Thickness 1 3/4"
- Requires 1/2" to 5/8" of clearance at the pocket.

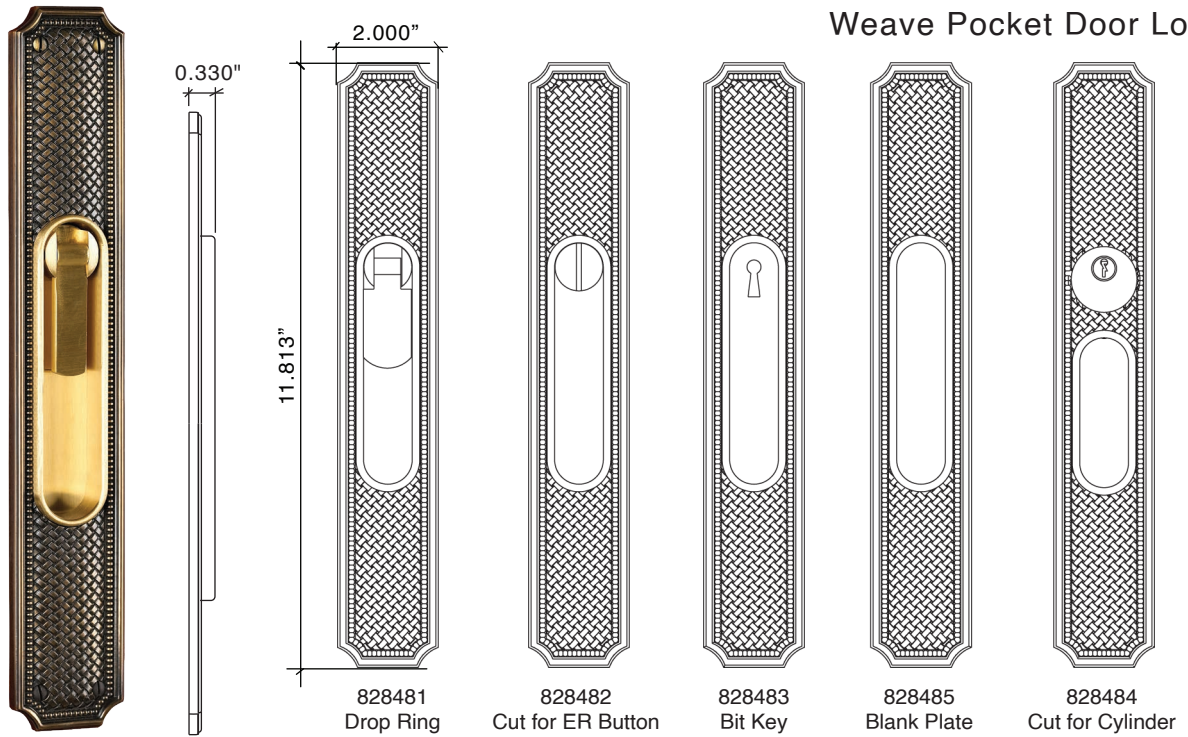


Weave Pocket Door Lock Sets

* Weave Pocket Door Trim is Made to Order		Standard	Distressed	ETERNA
8284890	Weave Pocket Door Lock, Passage	1114.12	1275.12	1455.44
8284891	Weave Pocket Door Lock, Privacy	1083.21	1241.63	1423.24
8284892	Weave Pocket Door Lock, Cut for Bit Key	1074.51	1234.23	1420.02
8284893	Weave Pocket Door Lock, Single Cylinder	1107.68	1267.39	1442.56
8284894	Weave Pocket Door Lock, Double Cylinder	1101.24	1275.12	1429.68
8284895	Weave Pocket Door Lock, Non Latch Privacy	1020.10	1175.94	1345.96
8284896	Weave Pocket Door Lock, Patio Function	1083.21	1241.63	1423.24
8284897	Weave Pocket Door Lock, Edge Pull Set	985.32	1141.17	1309.90

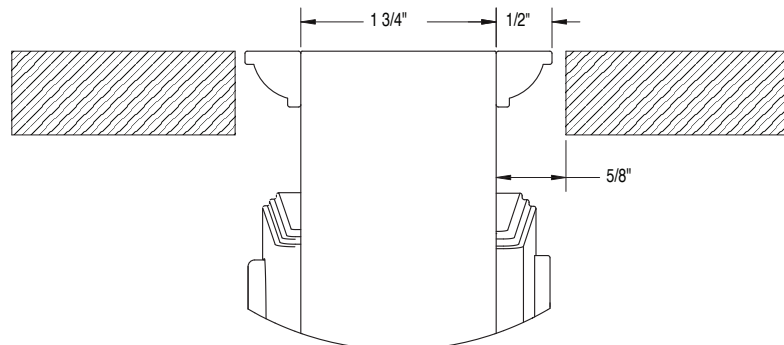
All Prices in US Dollars - Prices Subject to Change Without Notice
Please Check with Customer Service for Up to Date Pricing.

Weave Pocket Door Lock



- Intricate Weave Detail and Beading
- Solid Forged Brass Plate
- Solid Forged Brass Finger Pull
- Hand Polished
- Plates available in Five Options:
 - Drop Ring
 - ER Button
 - Cut for Cylinder
 - Bit Key
 - Blank
- Suited Pocket Door Hardware is Made-to-Order,
Non cancelable, once ordered, and Non-Returnable
- Plates are Surface Mounted
- Minimum Door Thickness 1 3/4"
- Requires 1/2" to 5/8" of clearance at the pocket.

Because Von Morris's Suited Pocket door plates are surface mounted, a slight bit of additional door preparation is required. At the nose and rear edge of the door, minimum one half inch thick moldings must be applied to both faces of the door. The trim surrounding the pocket must be a minimum of 5/8" from the face of the door. Minimum door thickness is 1 3/4".



POCKET DOOR

